

The SMART Square Chafing Dish w/ Stainless Steel Lid, Stainless Steel 1A15600

☐ Square Induction Ready Solid Lid Chafer

☐ Standard 2/3 GN food pan

☐ Capacity 5.8 qt / 5.5 ltr

☐ Soft auto close lid

☐ Water recycling

☐ Cladded water pan

☐ Lift tab for easy food pan removal

☐ No hot spots

☐ Insulated handle

☐ 18/10 quality stainless steel

☐ Product Dimensions: 15.75" x 17.50" x 8" / 401 x 445 x 204 mm

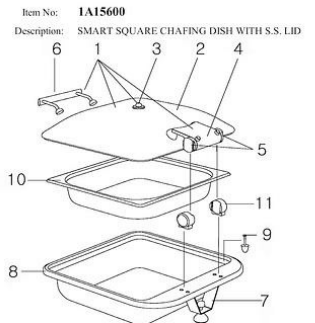
☐ Product Weight: 14 lb / 6.35 kg

☐ Box Dimensions: 19" x 22" x 11" / 483 x 559 x 280 mm

☐ Box Weight: 19 lb / 8.6 kg



(shown with optional spoon holder)



Reference	Item Number	Description	Ea/Set
1	1A153000	Smart Square Solid Lid Assembly	1 EA
2	1A15301200	Smart Square Solid Lid ONLY	1 EA
3	1A1530130	Smart Steam Hole Kit	1 SET
4	1A153001HSG	Smart Complete Hinge Assembly with Housing and Mechanism for 1A15300, 1A15303 and 1A15600	1 SET
5	1A15300MKT	Smart Hinge Rebuild Kit for 1A15300, 1A15303 and 1A15600	1 EA
6	1A15600140	Smart Handle ONLY for 1A15600 and 1A15601	1 EA
7	1A15300300	Back Support with Leveling Feet for All Smart Series Chafers, screws included	1 EA
8	1A15600400	Square Water Pan for 1A15600 and 1A15601	1 EA
9	1A15300140	Smart Chafing Pan Push Pin	1 EA
10	1A11104	2/3 Oblong Food Pan	1 EA
11	1A15301M40	Smart Chafing Hinge Receiver	1 SET

Specifications

Carton Quantity	1
Length (inches)	15.75
Width (inches)	17.5
Height (inches)	8.0
Weight	13.0