

*Berkel*

ELEVATING YOUR PASSION, SINCE 1898.

[theberkelworld.com](https://theberkelworld.com)



*Berkel*

**Pro Line**  
**XS 25-30**  
**Jun 2023**



**Pro Line XS25-30** is the brand new line of professional electric gravity feed slicers from Berkel.

This product line combines compact dimensions and elegant design noticeable in all our slicers. They are made of smooth lines, lack of edges, high performance materials and all the finishing in the peculiar Berkel red.

Intended mainly for the HO.RE.CA channel, Pro Line XS meets the needs of a user with a price sensibility looking for an excellent cutting performance matched with the highest safety standards and ease of cleaning, one of a kind in this category.

# Highlights - Performance

- Food plate inclined at 38 ° to facilitate the passage of the material and the fall of the slice
- Gauge plate with an oblique 15 ° opening to facilitate the way out of the product while slicing
- Blade cover with continuous profile for a uniform slice thicknesses
- Very thin residual product to minimize wasted material
- Wide pusher to tightly fix the product on the plate
- Fully IP67 sealed control panel and food-grade silicone gaskets on each exposed part
- Gauge plate opening knob with 14 millimetric adjustment positions for an accurate regulation
- Steel deflector with facilitated magnetic coupling
- Removable sharpener included



# Highlights - Performance



*Note: Picture refers to the 25cm blade version*



# Highlights - Performance

Gauge plate with an oblique 15° opening

Blade cover with continuous profile for a uniform slice thicknesses

Very thin residual product to minimize wasted material



*Note: Picture refers to the 25cm blade version*

*Berkel*

# Highlights - Performance



*Note: Picture refers to the 25cm blade version*

# Highlights – Cleaning & Hygiene

- Inclined gauge plate drainer for clearing of liquids
- Liquid collection tray integrated in the casting for perfect hygiene and cleaning
- Removable carriage to facilitate cleaning operations
- Wide space (42 mm) between blade and motor to facilitate and speed up cleaning operations
- Fast blade cover removal system
- Casting made out of a single mold obtaining absence of gaps



# Highlights – Cleaning & Hygiene

Inclined gauge plate  
drainer for clearing of  
liquids

Liquid collection tray  
integrated in the casting



Fast blade cover  
removal system

Removable carriage to  
facilitate cleaning  
operations

# Highlights - Cleaning & Hygiene

Wide space (42 mm) between blade and motor to facilitate and speed up cleaning operations



Casting made out of a single mold obtaining absence of gaps

# Highlights - Safety

- Complete closure of the gauge plate for maximum safety during cleaning operations and CE Block to prevent its opening when the plate is out of place
- Disarmed position of the meat press to prevent accidental release
- ON/OFF switches with high visibility LEDs
- Aluminum ring guard for best safety
- Transparent techno polymer plate guard for perfect visibility during cutting operations
- Ergonomic controls in comfortable position to minimize any effort for the operator

# Highlights - Safety



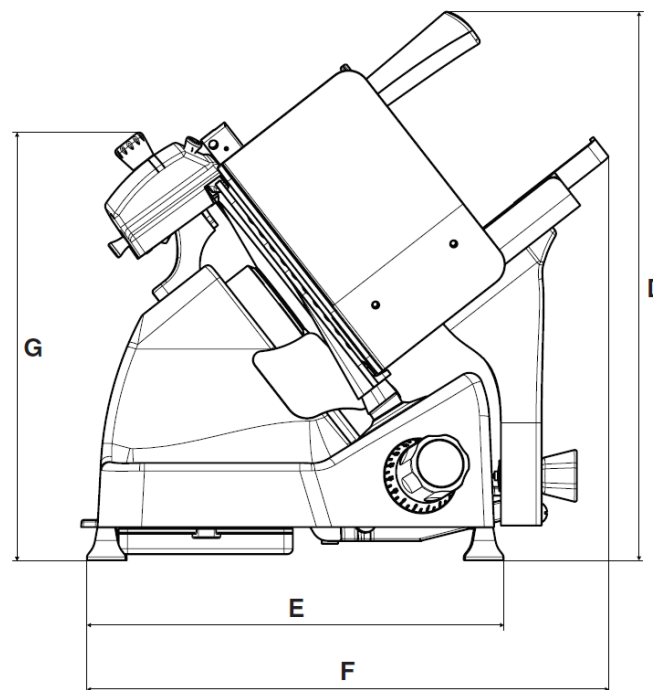
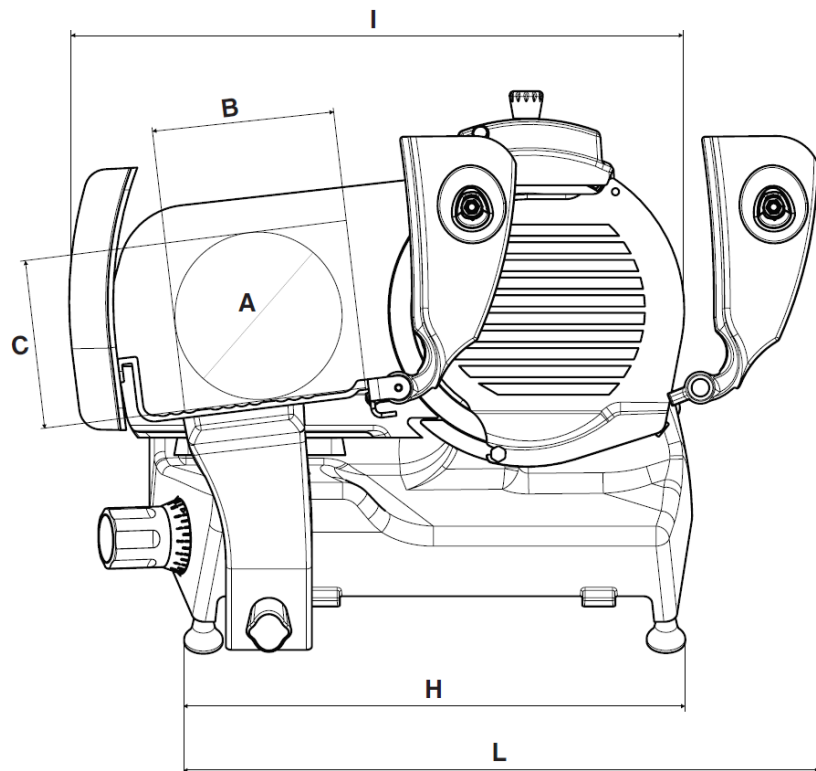
*Note: Picture refers to the 25cm blade version*

# Highlights - Safety

Aluminum ring guard  
for best safety



Ergonomic controls in  
comfortable position to  
minimize any effort for  
the operator



DIMENSIONI DIMENSIONS   Maße	
XS 25	XS 30
A 188 mm	A 230 mm
B 225 mm	B 245 mm
C 178 mm	C 195 mm
D 505 mm	D 545 mm
E 378 mm	E 415 mm
F 480 mm	F 595 mm
G 445 mm	G 435 mm
H 450 mm	H 506 mm
I 565 mm	I 640 mm
L 575 mm	L 645 mm



# Product Sheet

	SPECIFICHE   SPECIFICATIONS SPÉCIFICATIONS   TECHNISCHE MERKMALE	
	XS 25	XS 30
Ø Lama   Ø Blade   Ø Lame   Ø Messer	250 mm	300 mm
Spessore taglio   Cut thickness Epaisseur de coupe   Schnittbreite	0 - 14 mm	0 - 14 mm
Capacità di taglio circolare   Capacity (circle) Capacité (cercle)   Leistung (Kreis)	188 mm	230 mm
Capacità di taglio rettangolare Capacity (rectangle) Capacité (rectangle) Leistung (Rechtack)	225x178 mm	245x195 mm
Peso netto   Net weight Poids net   Gewicht Netto	19 kg	26 kg
Potenza motore   Motor rating Puissance moteur   Motorleistung	0,32 kW	0,35 kW
Specifiche elettriche Electrical specifications Caractéristiques électriques Elektrische Eigenschaften	230/50/1	230/50/1 400/50/3

*Berkel*

**THANK YOU FOR  
YOUR ATTENTION.**

**Van Berkel International S.r.l.**  
Via Ugo Foscolo, 22 | Oggiona S. Stefano (VA) 21040  
Tel. +39 0331 214311 | [info@berkelinternational.com](mailto:info@berkelinternational.com)  
[theberkelworld.com](http://theberkelworld.com)